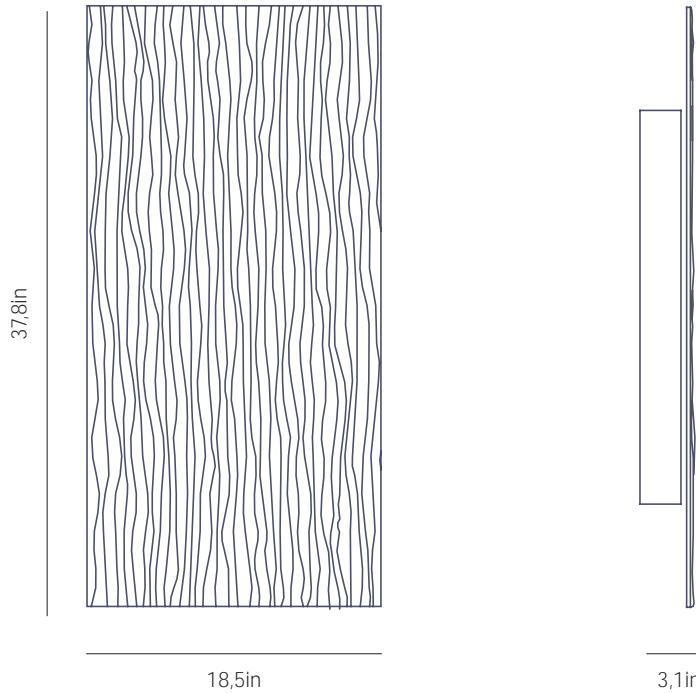


# a

by arturo alvarez

planum collection

LED

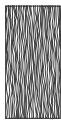


USA & Canada

ref. PM06PR-LD



PM06R



PM06PR

## MATERIALS & COMPONENTS

### LAMPSHADE

Painted stainless steel | One color to choose



BL

G

CUSTOM  
COLOR

Steel gloss nickel-plated and stainless steel

### SUPPORT

Stainless steel

### MOUNTING OPTIONS

Wall sconce & Ceiling flush mount

### LIGHT SOURCE BUILT IN

#### 100~277V - 60Hz

□ □ □ □ 24W 3000K 3780lm built-in  
upon request 2700k 3636lm

Dimming system 0-10 V  
upon request PHASE CONTROL (only 120V)

## OTHER DATA

### NET WEIGHT

6,2lb

### PACKAGING

39,4x20,9x5,9in  
11lb

### ELECTRICAL FEATURES



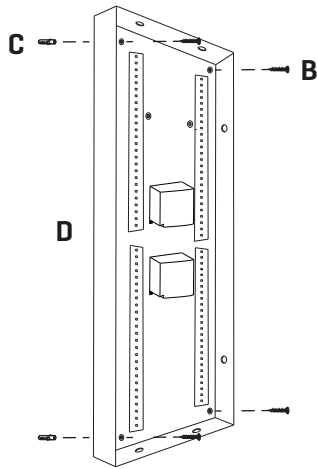
### CERTIFICATIONS







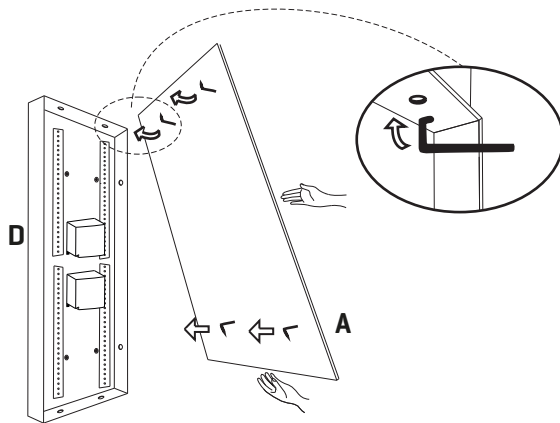




2

Drill the four holes in the wall, fit the wall plugs into the holes and screw the support.

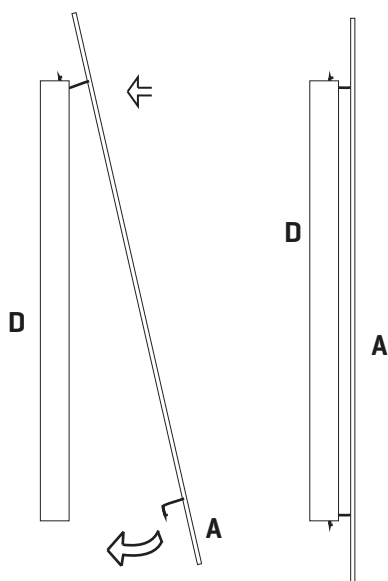
Realizar los cuatro agujeros en la pared, colocar los tacos y atornillar el soporte.



3

Join the lampshade in the support fitting the lampshade hooks into the holes of the support.

Unir la tulipa en el soporte encajando los ganchos de la tulipa en los agujeros laterales del soporte.



4

NOTE: For the correct lampshade coupling, put the two outermost hooks first and then the following ones, as shown in the picture.

The lampshade can be positioned either horizontally or vertically.

NOTA: Para el correcto enganche de la tulipa, colocar primero los dos ganchos más alejados y luego los siguientes, tal y como se muestra en el dibujo.

La tulipa se puede posicionar tanto horizontal como verticalmente.