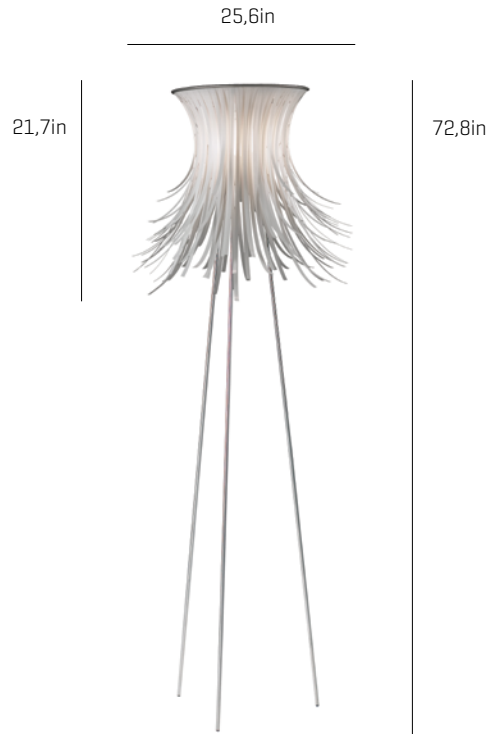


# Bety

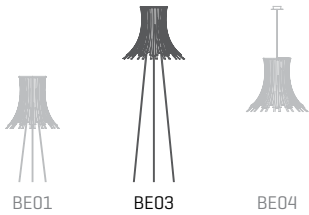
ref. **BE03**

Floor lamp

[Click here to download:](#)  
3D/2D, pictures, photometric curves  
and assembly instructions



## Bety Collection



### MATERIAL FINISHES

#### LAMPSHADE

Polypropylene

One colour



#### SUPPORT AND CABLE

Stainless steel

Black cable

### LIGHT SOURCE

#### 120V - 60Hz

E26 Med. - Max. 1x100 W

E26 Med. - Max. 1x42 W

E26LED - Max. 1x13 W

upon request:

GU24 - Max. 1x23 W

### OTHER TECHNICAL DATA

#### PACKAGING

70,9x3,9x3,9in  
16,9x16,9x24,8in  
14,3lb

#### ELECTRICAL FEATURES



#### CERTIFICATIONS



Box contains | Contenido de la caja:

**A** - Lampshade | Tulipa [1]

**B** - Washers | Arandela [1]

**C** - Frame | Soporte [1]

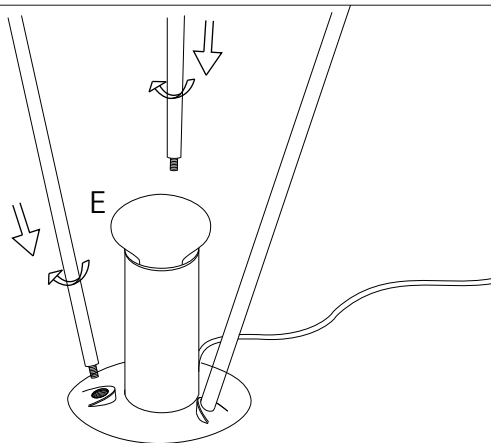
**D** - Cover | Embellecedor [1]

**E** - Holder | Patas [3]

ref. **BE03**

Suitable for indoor use, at 77°F

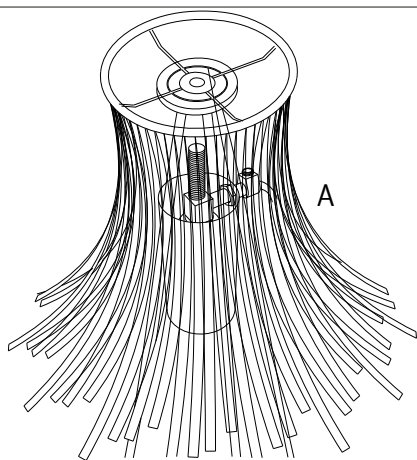
Apta para uso interior a temperatura ambiente de 77°F



**1**

Screw the three holders in the back part of the frame.

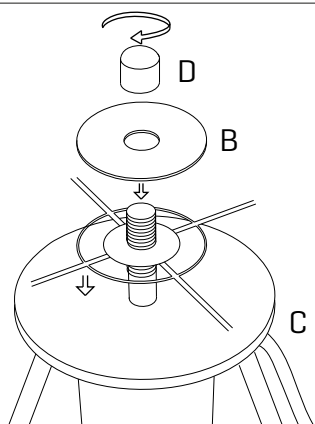
Enroscar las tres patas en la parte de atrás del soporte.



**2**

Fit the central hole of the shade into the upper screw of the frame.

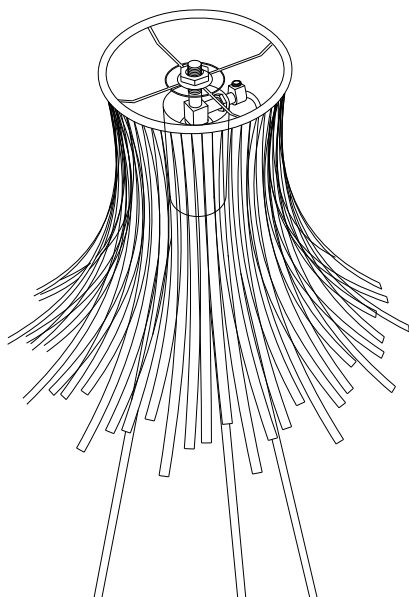
Encajar el agujero central de la tulipa en el tornillo de la parte superior del soporte.



**3**

Put the washers and the cover.

Colocar la arandela y el embellecedor.



4

Tighten the cover till the shade keeps fixed to the frame.

Apretar el embellecedor hasta fijar la tulipa al soporte.