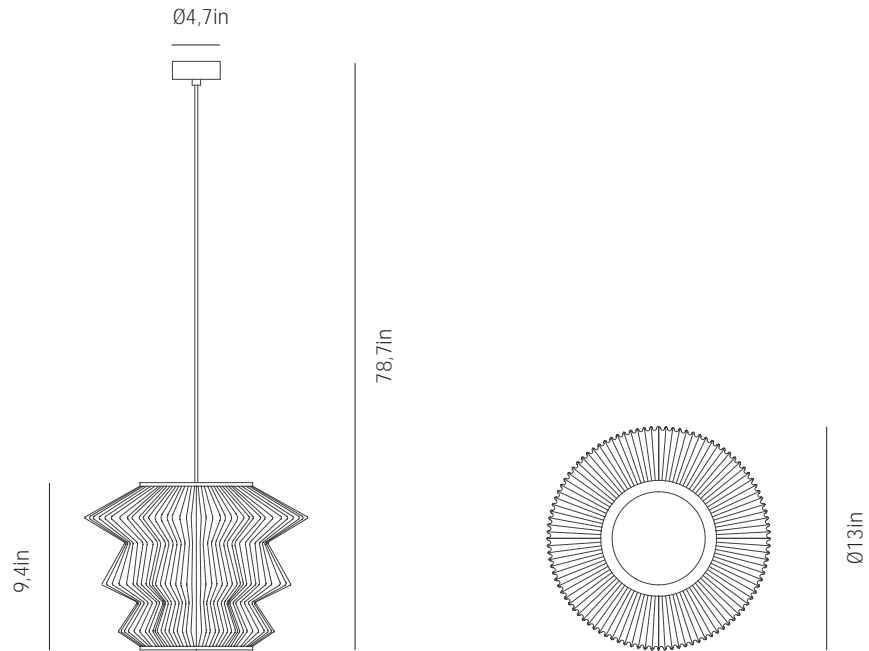


# a

by arturo alvarez

ura collection



USA & Canada

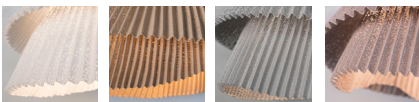
ref. UR304



## MATERIALS & COMPONENTS

### LAMPSHADE

Painted stainless steel | One color to choose



BL

BE

G

T

CUSTOM  
COLOR

Stainless steel

### CANOPY AND CABLE

Steel gloss nickel-plated

Transparent or black cable

Standard: 78,7in

Length customizable

### RECOMMENDED BULBS

**120V - 60Hz**

 E26 LED- Max. 1x12 W

## OTHER DATA

### NET WEIGHT

2,9lb

### PACKAGING

14,2x 14,2x 12,2in

3,5lb

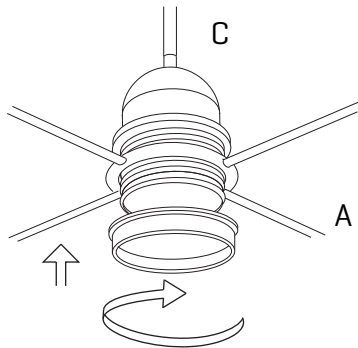
### ELECTRICAL FEATURES



### CERTIFICATIONS







### 3

Insert the lampshade into the lampholder and tighten the nut.

Insérez l'abat-jour dans la douille et serrez l'écrou. Placez la lampe dans le porte-lampe et serrez la vis.

Encajar la tulipa en el portalámparas y apretar la tuerca.