

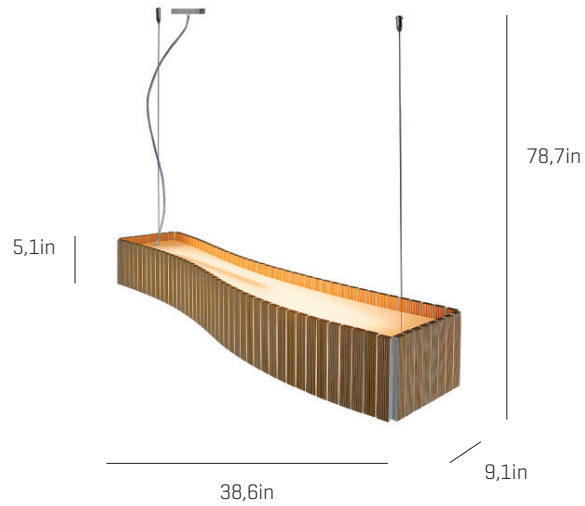
Uxi

LED

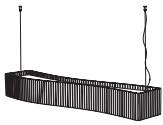
ref. **UX04-LD**

LED / DIMMABLE

Pendant lamp



Uxi Collection



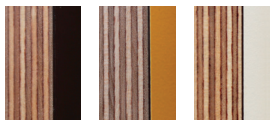
UX04-LD

MATERIAL FINISHES

LAMPSHADE

Plywood

One color to choose



Top and bottom diffuser

CANOPY AND CABLE

Stainless steel

Black or transparent cable

LIGHT SOURCE BUILT IN

120V - 60Hz

□ □ □ □ 24W 3000K 3659lm built-in
upon request 2700K 3550lm

Dimming system: 0-10 V
upon request PHASE CONTROL

OTHER TECHNICAL DATA

NET WEIGHT

12,6lb

PACKAGING

43,3x12,2x9,8in
17lb

ELECTRICAL FEATURES



CERTIFICATIONS

