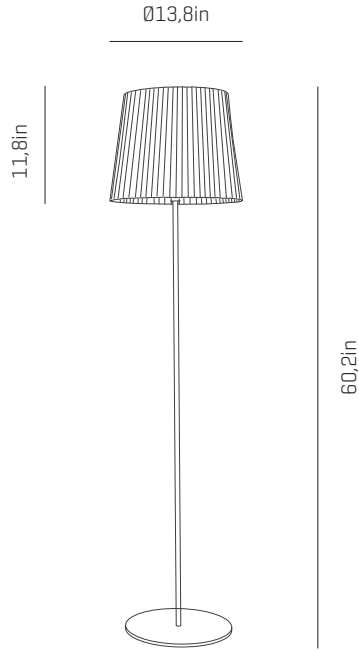


# a

by arturo alvarez

virginia collection



USA & Canada

ref. VG03B



VG03A



VG03B



VG04A

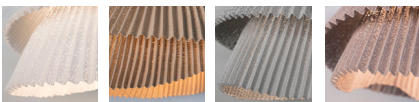


VG04B

## MATERIALS & COMPONENTS

### LAMPSHADE

Painted stainless steel | One color to choose



BL

BE

G

T

CUSTOM  
COLOR

Stainless steel

### SUPPORT AND CABLE

Stainless steel

Transparent cable

Standard: 98,4in

### RECOMMENDED BULBS

**120V - 60Hz**

 E26 LED- Max. 1x12 W

## OTHER DATA

### NET WEIGHT

22lb

### PACKAGING

61x 4,3x 4,3in

16,1x 16,1x 15,7in

25,3lb

### ELECTRICAL FEATURES



### CERTIFICATIONS



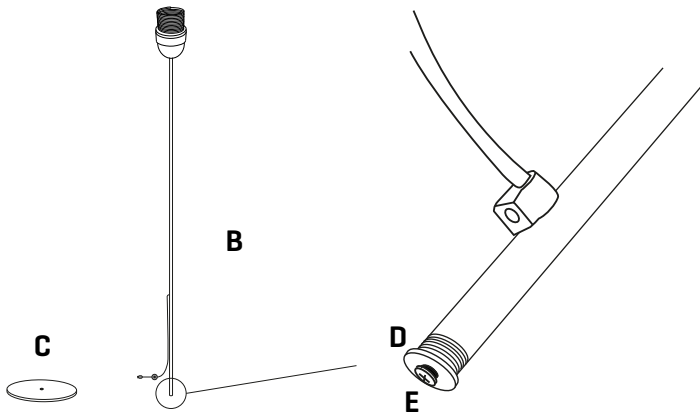
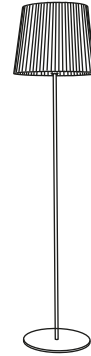
## Virginia

ref. VG03B

Suitable for indoor use, at 77°F  
Apta para uso interior a temperatura ambiente de 77°F

Box contains | Contenido de la caja:

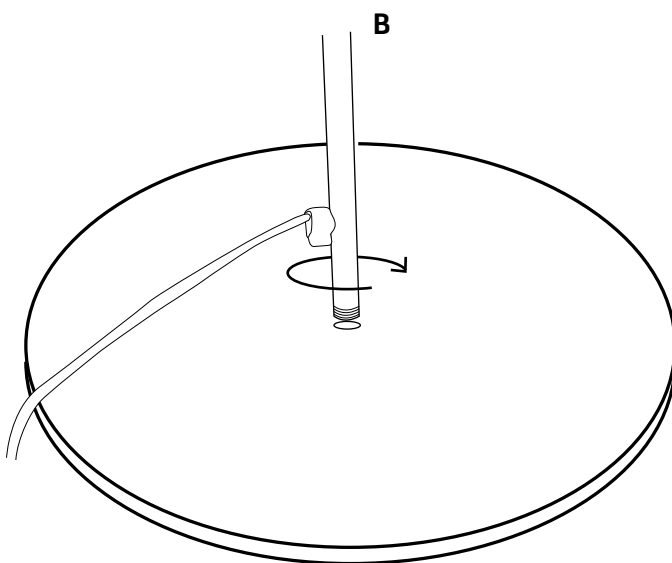
- A - Lampshade | Tulipa [1]
- B - Pie | Foot/support [1]
- C - Base | Base [1]
- D - Fixing washer | Arandela de fijación [1]
- E - Screw | Tornillo [1]



1

The foot is shipped separately from its base, unpack both to proceed with its assembly. First take the foot and unscrew the screw and the washer, set them aside for the third step.

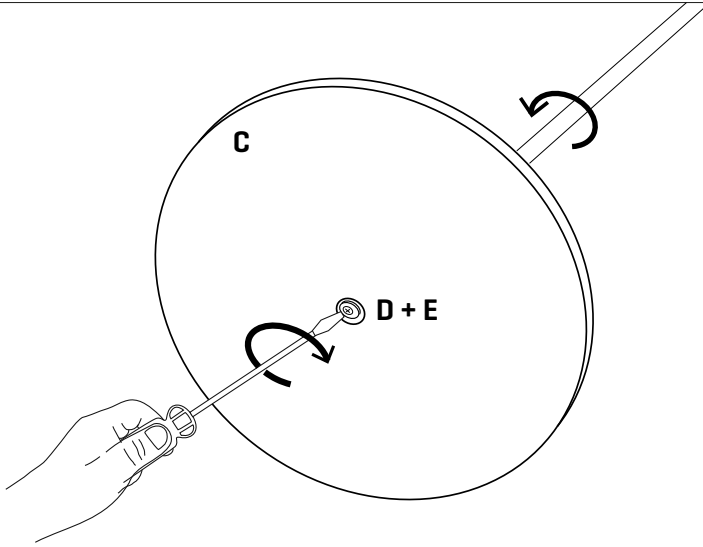
El pie se envía separada de la base, desembale ambos para proceder a su montaje. Primero coja la el pie y desenrosque el tornillo y la arandela, apártelas para el tercer paso.



2

**IMPORTANT!** Carry out this step carefully, the lampshade is delicate. Screw the tulip tube to the base in an upright position, it should be inserted approximately one centimeter.

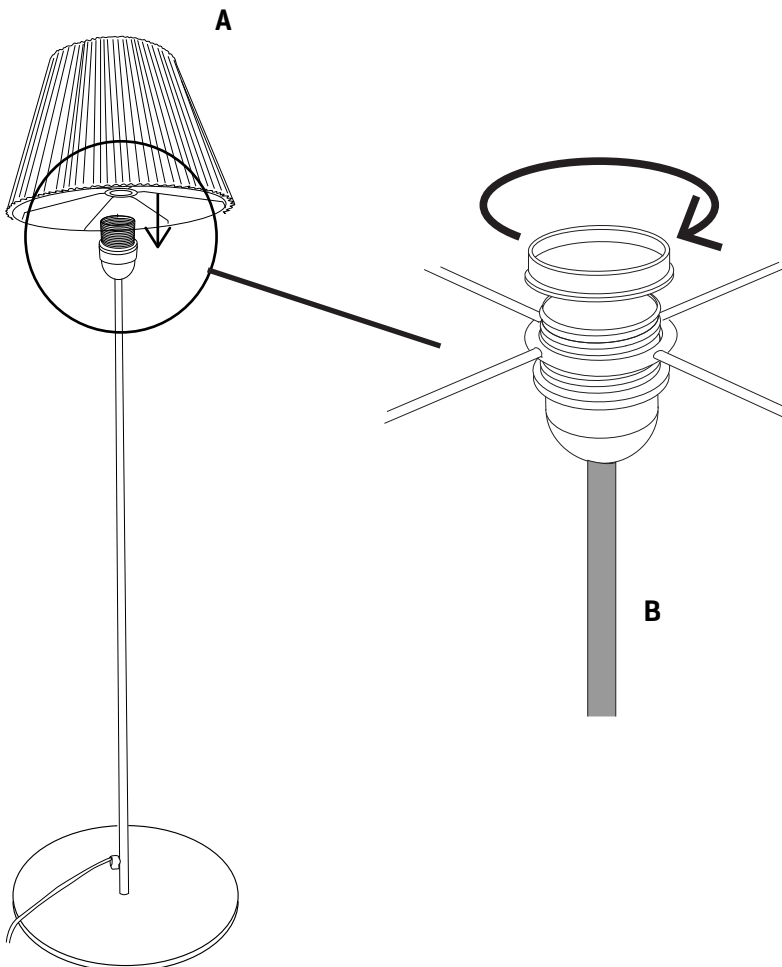
¡IMPORTANTE! Realice este paso con cuidado, la tulipa es delicada. Enrosque el tubo de la tulipa a la base en posición vertical, debe introducirse aproximadamente un centímetro.



3

Take the screw and washer that you removed in step 1 and thread it into the tube. Hold the tube and readjust to tighten so the assembly secure.

Vuelva a coger el tornillo y la arandela que quitó en el paso 1 y enrósquela en el interior del tubo. Sujete el tubo y reajuste al apriete para que el conjunto quede seguro.



4

Introduce the diffuser over the socket and join all together with the fixing nut.

Sobre el portalámparas coloque la tulipa y apriete ambos con la rosca.