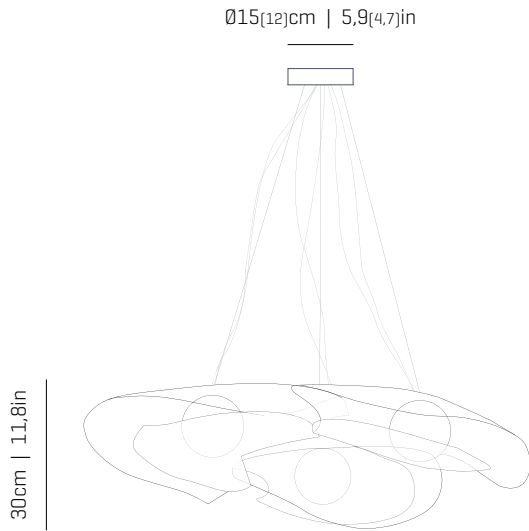


a

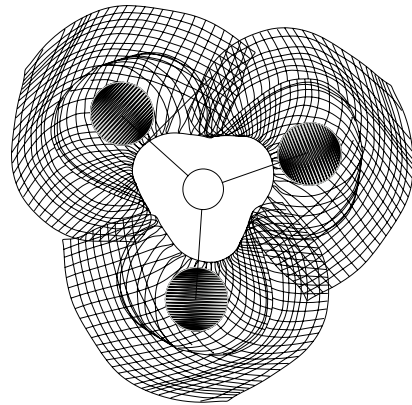
emotional light

mytilus collection

LED



250cm | 98,4in



136cm | 53,5in

140cm | 55,1in

ref. MY04-3



MY04

MY04G

MY04-3

MY06

MATERIALS & COMPONENTS | MATERIALES & COMPONENTES

LAMPSHADE | TULIPA

Painted stainless steel | One color: White
Acero inoxidable pintado | Un color: blanco



B

Glass sphere
Esfera de vidrio

*approximate measurements
*medidas aproximadas

ref. 3xMY04G

CANOPY AND CABLE

FLORÓN Y CABLE

Steel painted in white
Acero pintado en blanco


Transparent cable
Cable transparente

Standard: 250cm | 98,4in
Length/largo customizable
120V: 250cm | 98,4in

LIGHT SOURCE BUILT IN


FUENTE DE LUZ INCLUIDA

230V - 50Hz

 25W 3000K 3201lm built-in
upon request 2700K 2880lm

Dimming system: DALI / Switch DIM
upon request PHASE CUT

100-277V - 60Hz

 25W 3000K 3201lm built-in
upon request 2700K 2880lm

Dimming system: PHASE CONTROL & 0-10V
(only 120Vac TRIAC Dimmers)

ENERGY EFFICIENCY

EFICIENCIA ENERGÉTICA

This product contains a light source of energy efficiency class D
Este producto contiene una fuente luminosa de la clase de eficiencia energética D

OTHER DATA | OTROS DATOS

NET WEIGHT | PESO NETO

25,5kg | 56,2lb

PACKAGING | EMBALAJE

82x97x105cm | 32,3x 38,2x 41,3in
28kg | 61,7lb

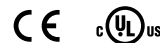
ELECTRICAL FEATURES

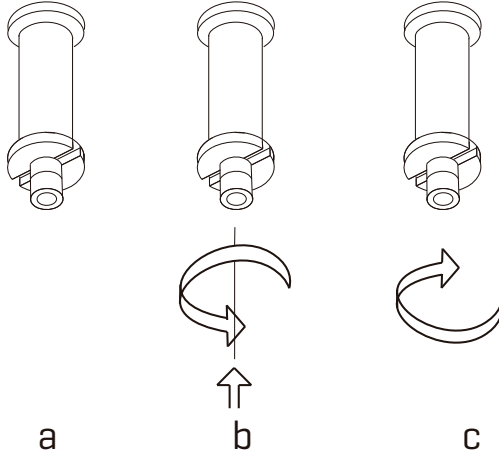
CARACTERÍSTICAS ELÉCTRICAS



CERTIFICATIONS

CERTIFICACIONES

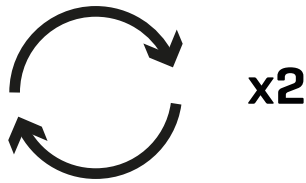




3

a) Screw the tie rod. b) Loosen the security nut and introduce the steel wire. c) Tighten the security nut. In order to remove the cable from the tension loosen the nut, to push it upwards and to throw of the cable.

a) Enroscar el tensor. b) Aflojar la tuerca de seguridad e introducir el cable de acero. c) Apretar la tuerca de seguridad. Para sacar el cable del tensor aflojar la tuerca, empujarla hacia arriba y tirar del cable.



4

Repeat steps 2 and 3 with the other two remaining lampshades.

Repita los pasos 2 y 3 con las otras dos restantes tulipas

5

To close the rosette, fit the 3 o'clock first, orient the screws of the internal bridge of the sheet. Insert a steel cable into each of the 3 slots. Tighten the bolts.

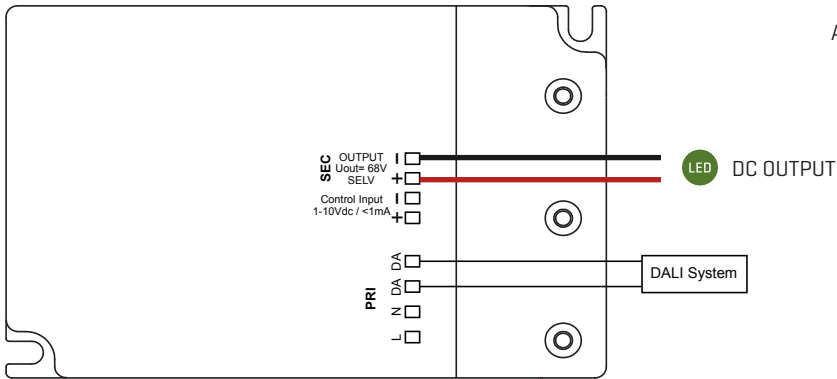
Para cerrar el florón encaje las 3 oriente primero los tornillos del puente interno de la chapa. Introduzca en cada una de las 3 ranuras un cable de acero. Apriete los tornillos.

Unscrew the cover to access the regulation terminals.

If you are not going to regulate the luminaire, it is not necessary, connect the LED to the orange tabs respecting the color code.

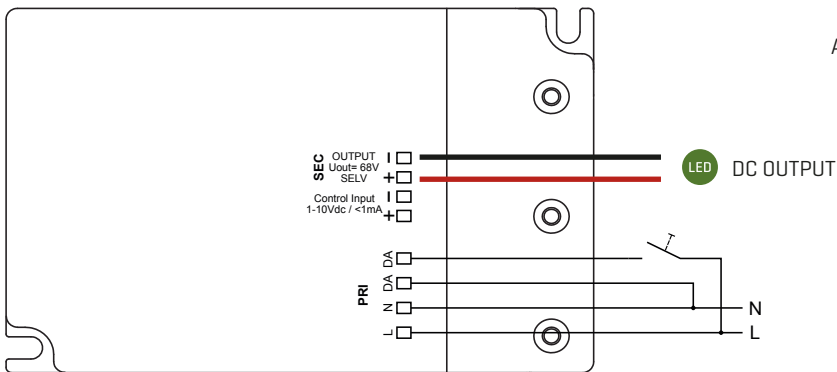
Desatornille la tapa para acceder a los bornes de regulación.

Si no va a regular la luminaria, no es necesario, conecte el LED en las fichas naranjas respetando el código de colores.



Attention! The DIP switch is factory set and the 1-10V control input is active. Don't modify it.

Circuit diagram **DALI-2**

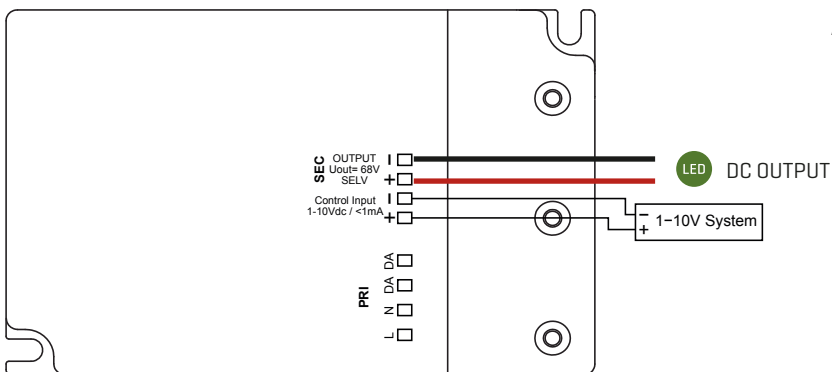


Attention! The DIP switch is factory set and the 1-10V control input is active. Don't modify it.

Circuit diagram **TOUCH-DIM**



Short push (< 0.6 sec) Push to turn ON-OFF
Long push (> 0.6 sec) Dimming up or down



Attention! The DIP switch is factory set and the 1-10V control input is active. Don't modify it.

Circuit diagram **1-10V**



According to the directive on electrical and electronic devices, don't dispose with the regular household waste., there are at local collection points for such devices.
De acuerdo con la directiva sobre residuos de aparatos eléctricos y electrónicos, no tire el producto a la basura doméstica, llévelo a los puntos de recogida selectiva.